

GILGEN DRIVE UNITS FOR OUTDOOR SLIDING GATES

Convenient and controlled access

Convenient door operation – regardless of the weather conditions

Wind and weather leave you cold. The remote control enables authorized persons to get out of the traffic and inside the gateway with maximum speed and safety, and without even getting wet.

Compact and versatile

Choose your optimal and compact automation solution from the wide range of Gilgen Door Systems products, to suit your particular access situation and individual requirements.

Controlled access to your premises

Automatic outdoor gates are a reliable protection against unauthorized access to parking areas and industrial or private properties. At the same time they offer unhindered and controlled access for the authorized persons.

The profitable investment

Gilgen Door Systems's outdoor sliding gates are designed to meet the highest quality standards. A high availability and a maximum preservation of the value of your investment are but two of their beneficial features.

Functional drive units

- Incorporated in a closed and splash-proof housing
- Integrated microprocessor controller with user-definable functions «Open-Close» or «Fully automatic»

Accessories

- Transmission set
- Fastening plates and brackets
- Locking mechanisms

Control and safety elements

Various control elements are available and can be selected to function in various environments; combined with adequate safety elements that are in accordance with the applicable legal regulations. User-friendly and safe passage are guaranteed.



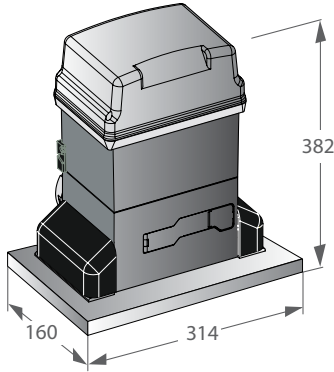
Gilgen outdoor sliding gate drive units open both light and heavyweight site-access gates easily and effortlessly. These powerful drive mechanisms are especially suitable for high-frequency use.



Multiple automation solutions with Gilgen outdoor sliding gate drive units

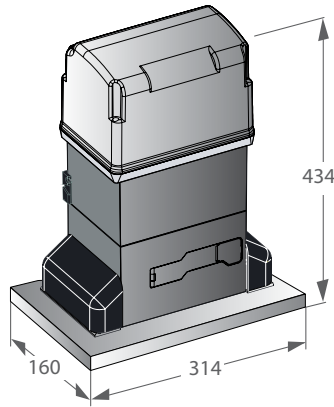
AS-746 ER

The cost-efficient automation for lightweight gates.



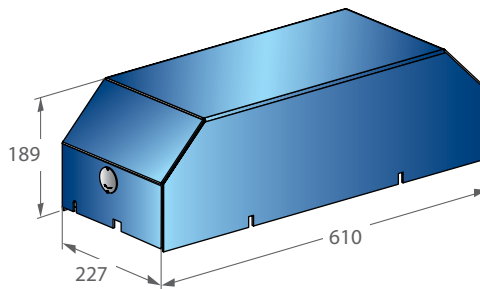
AS-844 R

The universal all-rounder.



DBX-A

The rugged drive unit for high operating frequencies, also suitable for self-supporting gates.



DBXT-A

The powerful unit for large and heavy gates, also suitable for self-supporting versions.

Range of application and technical data

| Drive unit | AS-746 ER | AS-844 R | DBX-A | DBXT-A |
|---|--------------|--------------|--------------|--------------|
| Travel distance | 10000 mm | 15000 mm | 8000 mm | 17000 mm |
| Gate weight max. | 400 kg | 1800 kg | 800 kg | 2500 kg |
| Speed max. (depending on gate weight) | 0.2 m/s | 0.16 m/s | 0.3 m/s | 0.3 m/s |
| Locking mechanism | systematic | systematic | optional | optional |
| Transmission | toothed rack | toothed rack | toothed belt | toothed beld |
| Mains supply | 230 VAC | 3x400 VAC | 230 VAC | 230 VAC |
| Power | 300 W | 950 W | 100 W | 1000 W |
| Max. tractive force | 500 N | 1900 N | 330 N | 900 N |
| Connection compatibility for operating and security/safety elements | ✓ | ✓ | ✓ | ✓ |
| Dry contacts for lighting, ventilation, signalling and timer | - | ✓ | ✓ | ✓ |