

NARROW FRAMED SLIDING DOOR

PSA PROFILE SYSTEM



The delicately designed Gilgen PSA profile system protects the glass while providing an impressively slim profile and a high level of robustness.

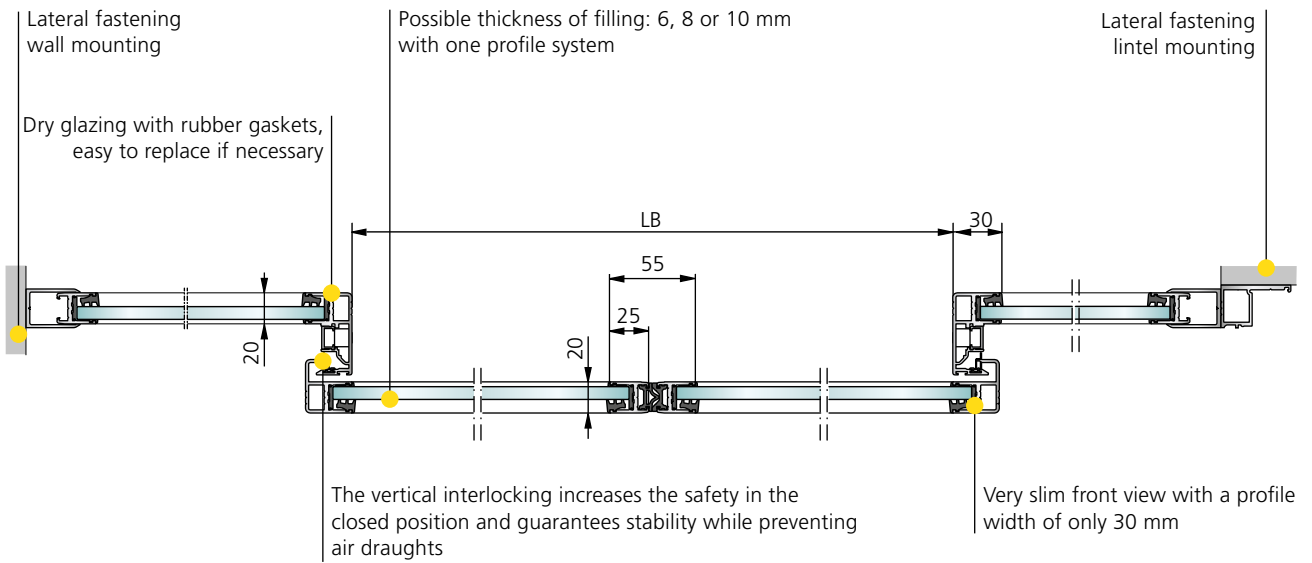
- Single-leaf and bi-parting sliding doors
- Two- and four-leaf telescopic sliding doors
- With side panel, protection leaf
- Emergency-exit function (redundant configuration)
- Standard locking-system built into drive mechanism
- With floor lock
- Full-length bottom rail or fixed point guide
- Can be attached to the door lintel or wall
- Vertical door leaf interlocking
- TÜV approved and complies with the pertinent standards and requirements (e.g. EN 16005, DIN 18650)

Range of application

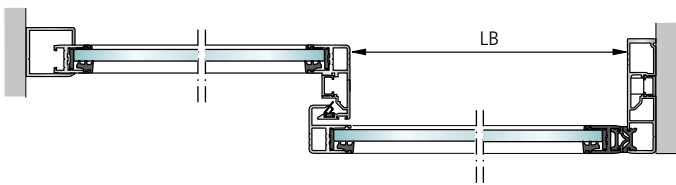
SL 35 sliding door	Clear width	Clear height	max. door leaf weight
Single-leaf	700 - 1300 mm (redundant 950 - 1300mm)	up to 2500 mm	100 kg
Bi-parting	800 - 2500 mm (redundant 900 - 2500mm)	up to 2500 mm	2 x 100 kg
Two-leaf telescopic	1100 - 3000 mm (redundant 1100 - 3000mm)	up to 2500 mm	2 x 100 kg
Four-leaf telescopic	1200 - 4000 mm (redundant 1200 - 3000mm)	up to 2500 mm	4 x 75 kg

Possible applications

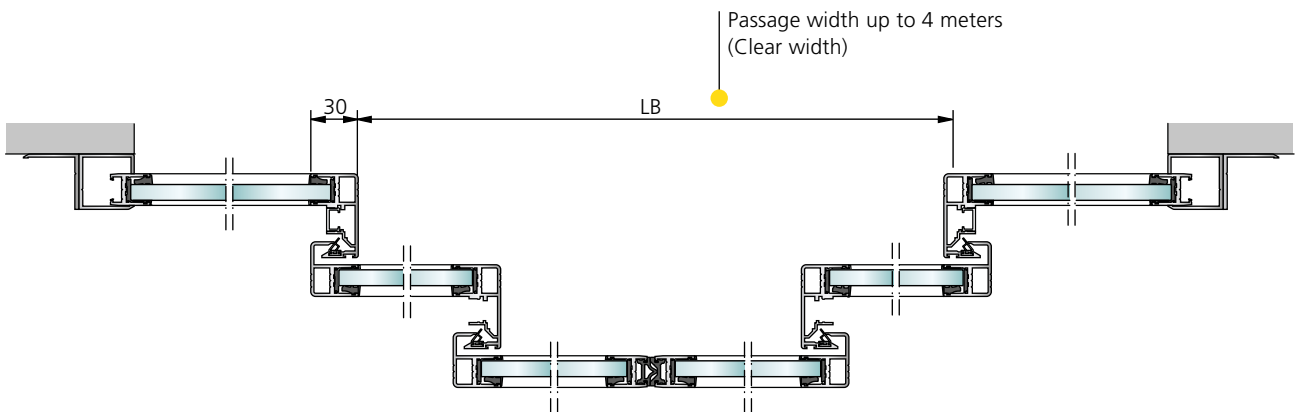
Bi-parting installation with side panels



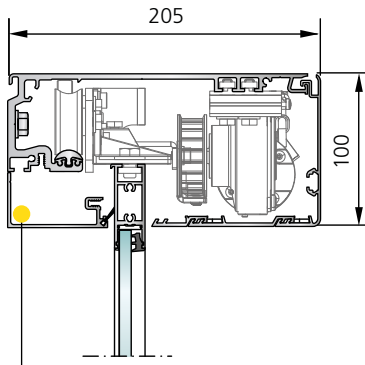
Single door leaf installation with side panel



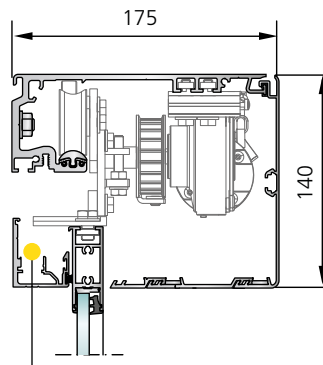
Four-leaf telescopic installation with side panels



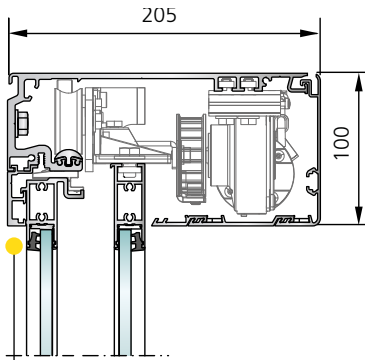
Header height of 100 mm and 140 mm



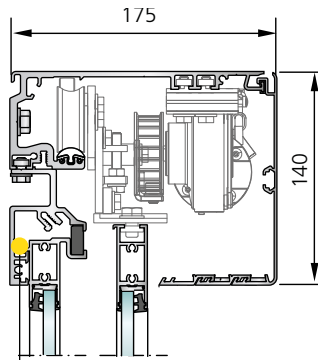
Header 100 mm
without side panel



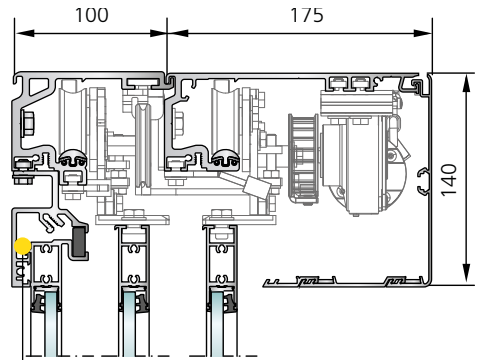
Header 100 mm
without side panel
(possible with supporting profile)



Header 100 mm
with side panel

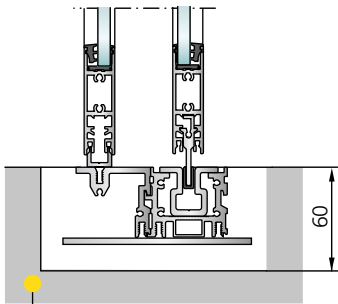


Header 140 mm
with side panel
(possible with supporting profile)

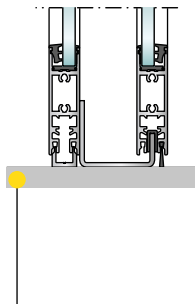


Header 140 mm telescopic
with side panel
(possible with supporting profile)

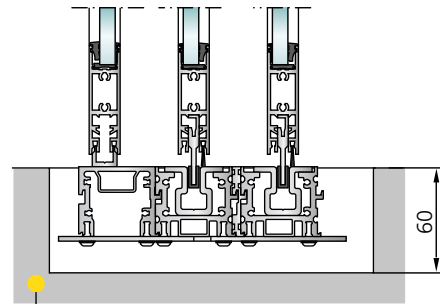
Bottom guide rails



Full-length bottom rail
integrated in the floor
(for increased safety and stability)



Lateral fixed point guide
on the floor



Full-length bottom rail telescopic



All current addresses:
www.gilgendoorsystems.com/worldwide

Gilgen Door Systems AG
Freiburgstrasse 34
CH-3150 Schwarzenburg
T +41 (0)31 734 41 11
F +41 (0)31 734 43 79
info@gilgendoorsystems.com
www.gilgendoorsystems.com