

FULL-GLASS SLIDING DOOR

PSF PROFILE SYSTEM



The Gilgen PSF profile system is the elegant full-glass solution.

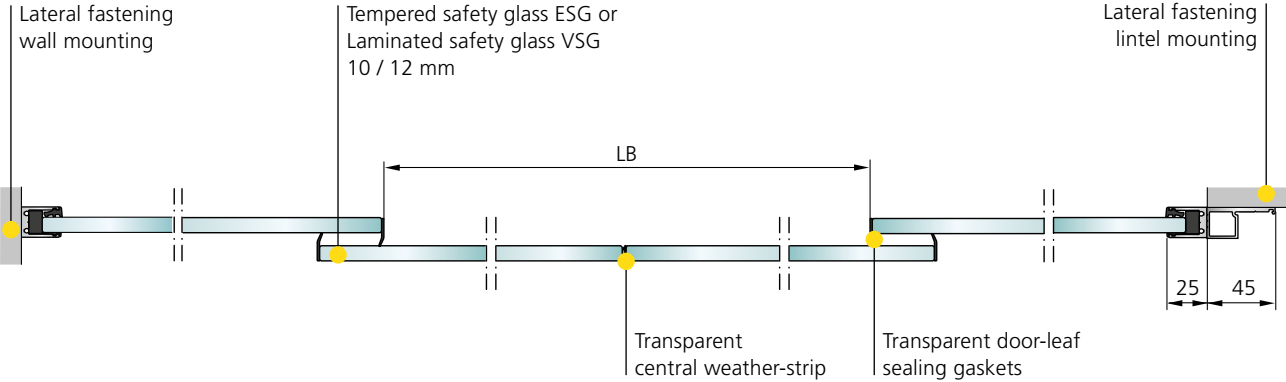
- Single-leaf and bi-parting sliding doors
- With side panel, protection leaf
- Emergency-exit function (redundant configuration)
- Standard locking-system built into drive mechanism
- Fixed point guide
- A floor lock and a full-length stainless steel bottom guide rail of slimline design can be used in combination with a plinth profile
- Can be attached to the door lintel or wall
- Full-glass design without any visible door leaf profiles
- Transparent door leaf sealing gaskets
- TÜV approved and complies with the pertinent standards and requirements (e.g. EN 16005, DIN 18650)

Range of application

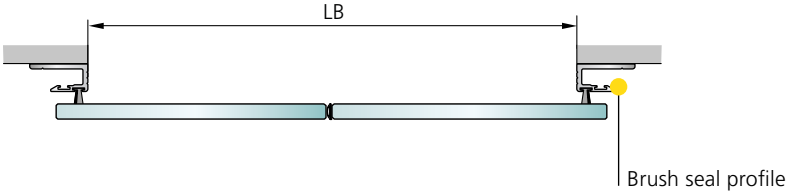
SL 35 sliding door	Clear width	Clear height	max. door leaf weight
Single door leaf	700 - 1500 mm (redundant 950 - 1500mm)	up to 2500 mm	120 kg
Bi-parting	800 - 2500 mm (redundant 900 - 2500mm)	up to 2500 mm	2 x 120 kg

Possible applications

Bi-parting installation with side panels



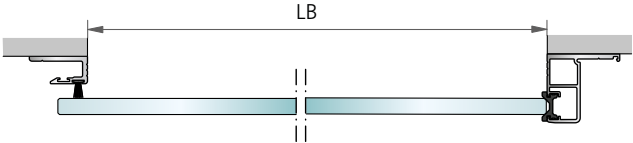
Bi-parting installation without side panels



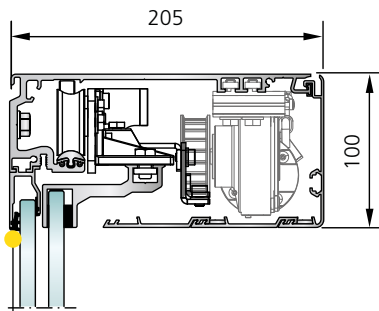
Single door leaf installation with side panel



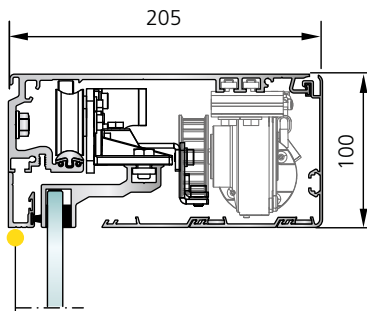
Single door leaf installation without side panel



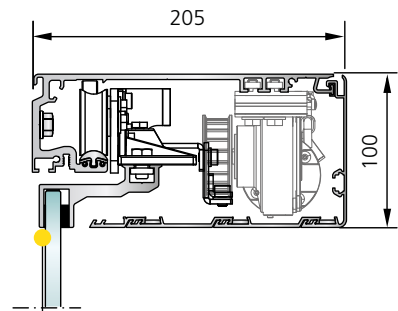
Header height of 100 mm and 140 mm



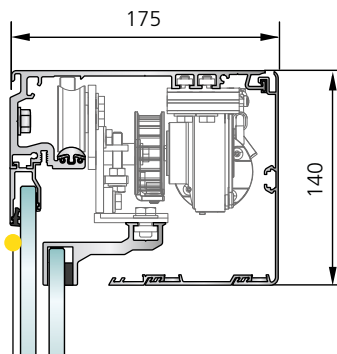
Header 100 mm
with side panel



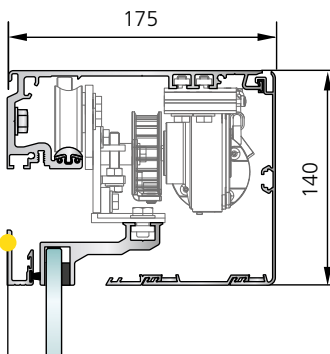
Header 100 mm
without side panel
with brush sealing profile



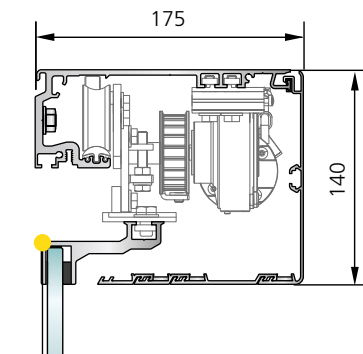
Header 100 mm
without side panel



Header 140 mm
with side panel

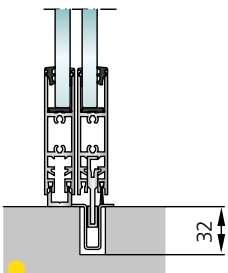


Header 140 mm
without side panel
with brush sealing profile

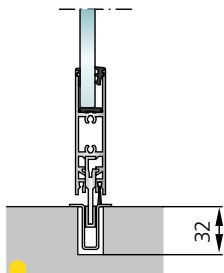


Header 140 mm
without side panel

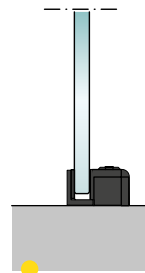
Bottom guide rails



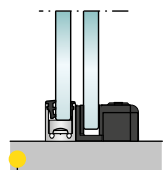
Full-length stainless steel bottom
rail integrated in the floor with
slimline design
(for increased safety and stability)



Full-length stainless steel bottom
rail integrated in the floor with
slimline design
(for increased safety and stability)



Lateral fixed point guide
on the floor



Lateral fixed point guide
on the floor



All current addresses:
www.gilgendoorsystems.com/worldwide

Gilgen Door Systems AG
Freiburgstrasse 34
CH-3150 Schwarzenburg
T +41 (0)31 734 41 11
F +41 (0)31 734 43 79
info@gilgendoorsystems.com
www.gilgendoorsystems.com