

GILGEN SLA SLIDING DOOR DRIVE UNIT, COMBINED WITH PSF PROFILE SYSTEM

The price-effective, full-glass solution

The Gilgen SLA sliding door drive unit offers carefully-developed functions and user-oriented quality.

The simple layout of its components guarantees fast installation and maintenance. An optimum solution, with a highly-attractive price/performance ratio.

Versatile usage

- Elegant, all-glazed appearance
- Fully-transparent
- Innovative fixing system
- TÜV-approved, and conforms to the relevant norms and standards (such as EN 16005, DIN 18650).

Possible applications

- Single and bi-parting sliding doors
- For design orientated architectural solutions
- Suitable for indoor applications, such as office partitions, multi retail outlets and smoking areas etc,
- Standard locking-system built into drive mechanism
- Fixed point guide
- A floor lock and a flush stainless steel bottom guide rail of slimline design can be used in combination with a horizontal bottom rail
- Can be attached to the door lintel or wall
- Translucent door leaf seals
- Cover panel for clamping profile

Glazing and infill options

- Safety glass ESG 10 / 12 mm
- Safety glass VSG-TVG 10 / 12 mm

Surface finish of aluminium profiles

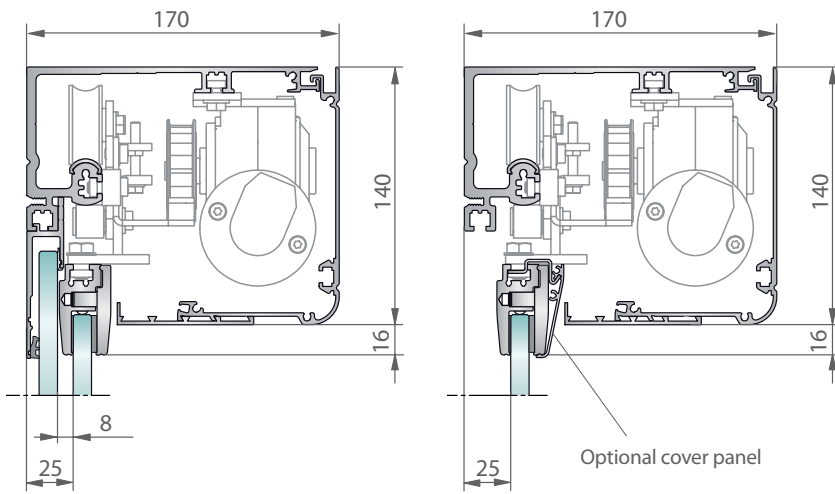
- Anodised (coloured or colourless)
- RAL colours, Polyester powder coating (PPC)



The Gilgen PSF profile system - the elegant, full-glass solution for indoor applications such as shop-in-shop outlets.

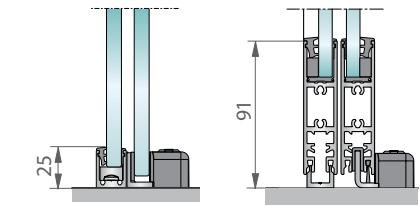


Gilgen SLA sliding door drive unit, combined with the PSF profile system



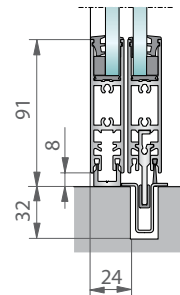
Single and bi-parting systems with side panel

Single and bi-parting systems without side panel



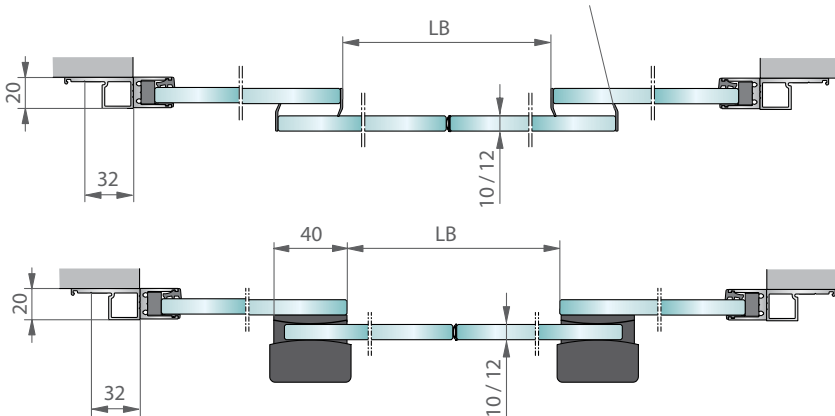
Bottom guide rail

Fixed point guide with plinth profile

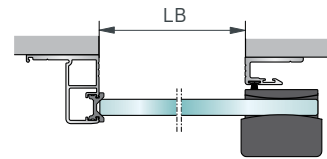


Continuous bottom guide rail with plinth profile

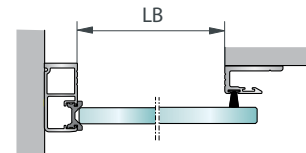
Translucent door leaf seals



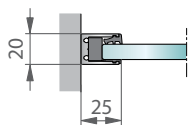
Bi-parting door with side panel Lintel mounting



Single door leaf without side panel Lintel mounting



Single door leaf without side panel Wall mounting



Wall mounting

Range of application for Gilgen SLA sliding door drive unit with PSF profile system

		Bi-parting	Single door leaf
Sliding door SLA	Clear opening width	900 - 2500 mm	700 - 1500 mm
	Max. door leaf weight	2 x 120 kg	120 kg
	Max. clear height	2500 mm	2500 mm
		(with safety glass VSG max. 3000 mm)	