

GILGEN SLX-M SLIDING DOOR DRIVE UNIT, COMBINED WITH PSA PROFILE SYSTEM

The ideal combination for narrow-framed glass leaves

The Gilgen SLX-M sliding door drive unit is a universally applicable drive system with state-of-the-art functions. It is designed to offer guaranteed, reliable functioning in a wide range of highly-demanding applications. The elegantly-designed sensor system is built into the header profile.

Versatile usage

- Carefully designed profile system
- The vertically interlocking configuration of the door leaves offers guaranteed robustness and protection from draughts
- Simple installation
- Innovative dry-glazing system increases the robustness of the door leaf
- TÜV-approved, and conforms to the relevant norms and standards (such as EN 16005, DIN 18650).

Possible applications

- Single and bi-parting sliding doors
- Emergency-exit function (redundant configuration)
- With side panels
- The high proportion of glass and the slim profile makes this configuration ideal for design orientated architectural solutions
- Suitable for both internal and external use
- Standard locking-system built into drive mechanism
- With floor lock
- Flush bottom guide rail or fixed point guide
- Can be attached to the door lintel or wall
- With pocket screen

Glazing and infill options

- Safety glass ESG / VSG
- Glass thickness: 6,8 or 10 mm
- Infill's made of plastic, aluminium and wood

Surface finish of aluminium profiles

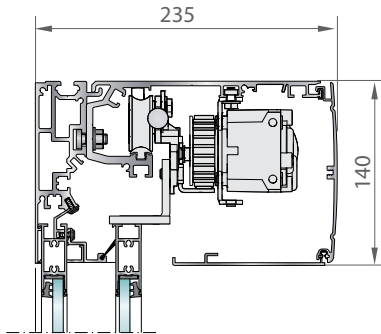
- Anodised (coloured or colourless)
- RAL colours, Polyester powder coating (PPC)



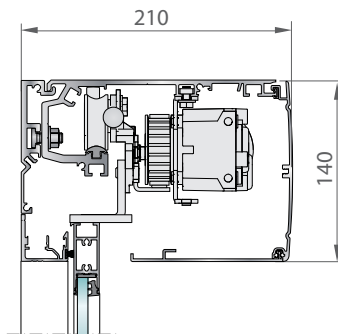
The carefully designed Gilgen PSA profile system protects the glass, while providing an impressively-slim profile and high level of robustness



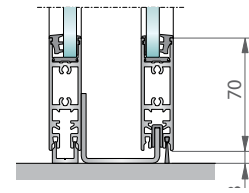
Gilgen SLX-M sliding door drive unit, combined with the PSA profile system



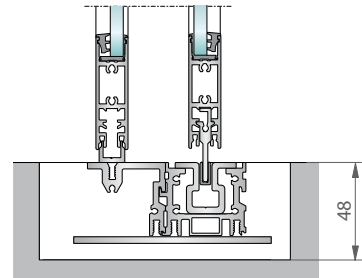
Single and bi-parting door systems with side panel



Single and bi-parting door systems without side panel, but with assembly profiles



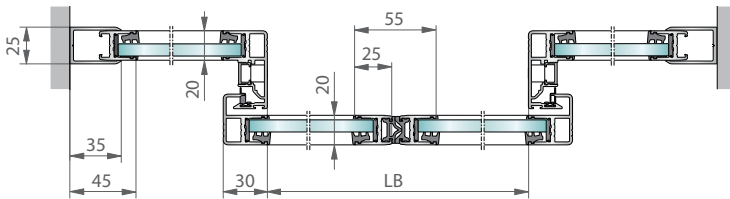
Fixed point guide



Continuous bottom guide rail

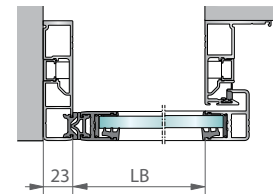
Bi-parting door with side panel

Wall mounting

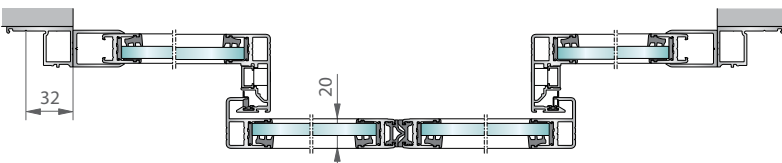


Single door leaf without side panel

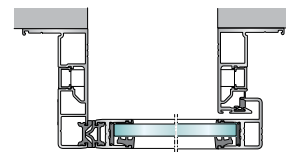
Wall mounting



Lintel mounting



Lintel mounting



Range of application for Gilgen SLX-M sliding door drive unit with PSA profile system

		Bi-parting	Single door leaf
Sliding door SLX-M	Clear opening width	800 - 2500 mm	700 - 1300 mm
	Max. door leaf weight	2 x 100 kg	100 kg
	Max. clear height	standard 2100 mm / possible up to 2500 mm	
SLX-M redundant	Clear opening width	900 - 2500 mm	950 - 1300 mm
	Max. door leaf weight	2 x 100 kg	100 kg
	Max. clear height	standard 2100 mm / possible up to 2500 mm	