

Gilgen Door Systems AG
Freiburgstrasse 34,
CH-3150 Schwarzenburg
Switzerland

Gilgen Door Systems Austria GmbH
Concorde Business Park 1 / E / 1 / 4
AT-2320 Schwechat
Austria

Gilgen Door Systems France S.A.S
21, rue Alexis de Tocqueville
Silic 5 - Immeuble Ampère
FR-92182 Antony Cedex
France

Gilgen Door Systems Italy srl
Via Andrea Costa, 6
IT-40013 Castel Maggiore (BO)
Italy

Gilgen Door Systems Spain
Barcelona
Spain

Gilgen Door Systems (Suzhou) Co. Ltd
Block No. 28, Unit A
Suchun Industrial Square
428 Xinglong Street
Suzhou Industrial Park
CN-215125 Suzhou, China

Gilgen Nabtesco (Hong Kong) Limited
1121 - 1123 Hollywood Plaza
610 Nathan Road
Monkok, Kowloon
Hong Kong

www.gilgendoorsystems.com

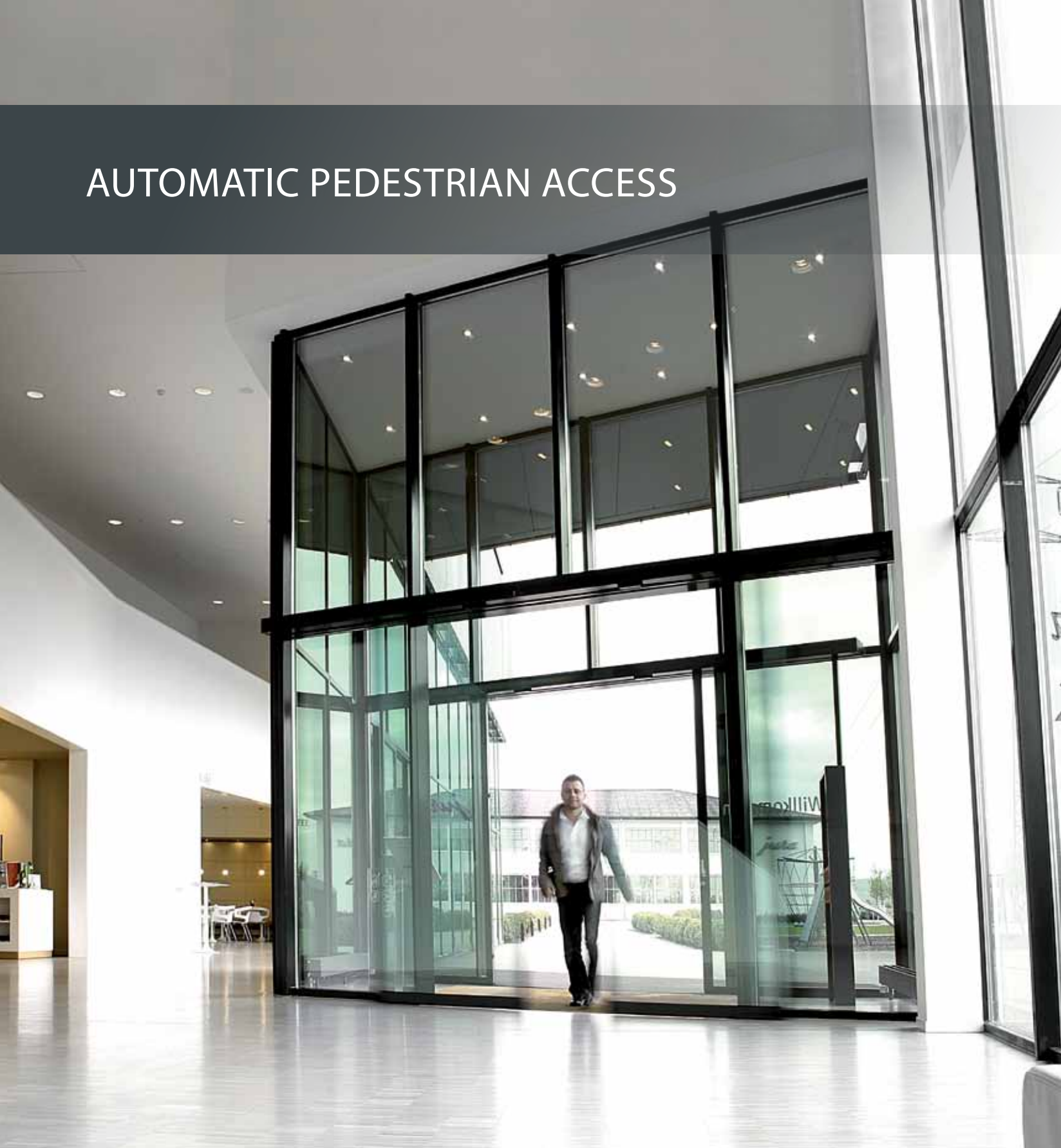
Gilgen Door Systems UK Limited
Halesfield 4
Telford, Shropshire TF7 4AP
Tel: +44 870 000 5252
Fax: +44 870 000 5253
www.gilgendoorsystems.co.uk

P 01.01.02/2012.02


GILGEN DOOR SYSTEMS

Member of the **Nabtesco** Group

AUTOMATIC PEDESTRIAN ACCESS



GILGEN
GILGEN DOOR SYSTEMS

Synergy based on functionality and design

Gilgen Door Systems combine customised configuration solutions with the functional needs of convenience, security and energy efficiency.

Customised access-configuration for prestige buildings

Are you looking for functional, prestige design? Gilgen automatic door systems can be supplied in many different customised glass, colour and material variants. Angled, curved or flat door designs can be smoothly incorporated into any overall architectural concept.



Possible configurations

Sliding doors

- Single and bi-parting door leaves
- Two and four-leaf telescopic
- Angled
- Break-out function
- Fire rated
- Smoke rated
- Thermal insulation
- All glass door leaves
- Bespoke solutions: Hermetically sealed doors, prismatic and under floor operators

Curved sliding doors

- Various radius dimensions; concave or convex, including circular porch systems
- Emergency exit function

Swing doors

- For both light and heavy weight doors
- Fire rated operators

Bi-folding doors

- For use in places where available passage width is restricted
- Equality Act compliant
- Emergency exit function

Lack of space need not rule out convenience

Gilgen Door Systems supplies automatic door solutions designed to maximise width of access, even when space is restricted.

Convenient solutions for all structural situations

The wide range of products supplied by Gilgen Door Systems allows automatic solutions to be incorporated into any door design. Matched to virtually any type of structural situation. Flexible door systems with a wide range of functions ensure user friendly access at all times.



Swing-door drive system

- Manually operated swing doors can be automated even after installation. Trouble free opening and closing improves access and makes life easier for users.



Drive unit for telescopic sliding doors

- This solution is ideal for situations where a wide opening-width is required but where the structural layout prevents the use of wide door leaves.



Bi-folding door drive system

- The folding design saves space. Gilgen folding doors offer you maximum access widths with minimal system dimensions.

Convenient for everyday use – reliable in an emergency

Reliable protection from smoke and fire and a safe emergency exit.
Our versatile range of doors offers the right solution for any situation.

Gilgen automatic doors meet the highest quality, safety and security specifications. Our tried-and-tested doors with extra functions increase the range of applications. Automatic emergency exits and fire-rated doors offer convenience for everyday use, while fulfilling legal requirements in the event of an incident.



Smoke-inhibiting automatic sliding door

- If a smoke alarm is activated, the door closes to prevent the smoke from spreading to the rest of the building. The door can be operated with an EMERGENCY OPEN button in the event of an incident.

Automatic fire/safety door

- True to Gilgen's "three door-functions in one" concept, our automatic sliding fire/safety door is, simultaneously, a convenient pedestrian access point, a flame resistant fire door and a reliable emergency escape route.

The multi-functional SLX break-out door system

- Designed to provide convenient automatic access in day-to-day situations, a safe exit for occupants in the event of an emergency.

The entry system with added energy-efficiency

The Gilgen PSW profile system adds another dimension to environmental awareness. The Gilgen PSW profile system provides, in combination with Gilgen SLX drive unit, a full range of tried-and-tested, heat-insulated automatic doors.

Energy-saving automatic door

The Gilgen heat-insulated automatic sliding door with PSW profiles reliably protects the building with low U-values in order to prevent loss of energy, leading to an improvement in the building's overall energy balance. This is a benefit with a future.

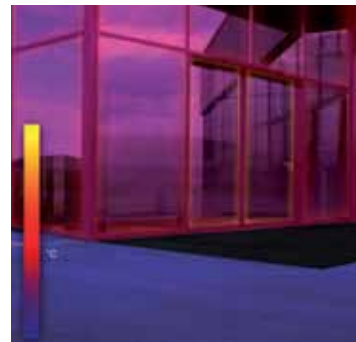


Gilgen PSW: The entire system has been tested and certified by the ift Rosenheim and TÜV organisations

- "U"-value rating
- Low air permeability
- High resistance to driving rain
- High wind-load capacity
- User safety
- Emergency exit



Modern building facades with conventional, non-thermally insulated profiles can result in an unnecessary loss of energy.



The Gilgen PSW profile system provides the same advanced technology for both facades and entrances, with energy savings of up to 50%, depending on the design of the entrance.

Contact free – Convenient – Hygienic

Freeing up the way automatically.

Automatic benefits

Highly reliable Gilgen automatic doors provide trouble-free access from one room to another. Contact-free, convenient and hygienic.



Barrier-free access

Barrier-free access is the key to ensuring that individuals with physical disabilities and people of limited mobility participate in the normal life of society. Barrier-free construction is not just designed to benefit disabled people and the elderly but also those experiencing temporary difficulties, such as parents trying to deal with small children and prams, or people with large items of shopping or mobility-aids, etc.

Health and hygiene

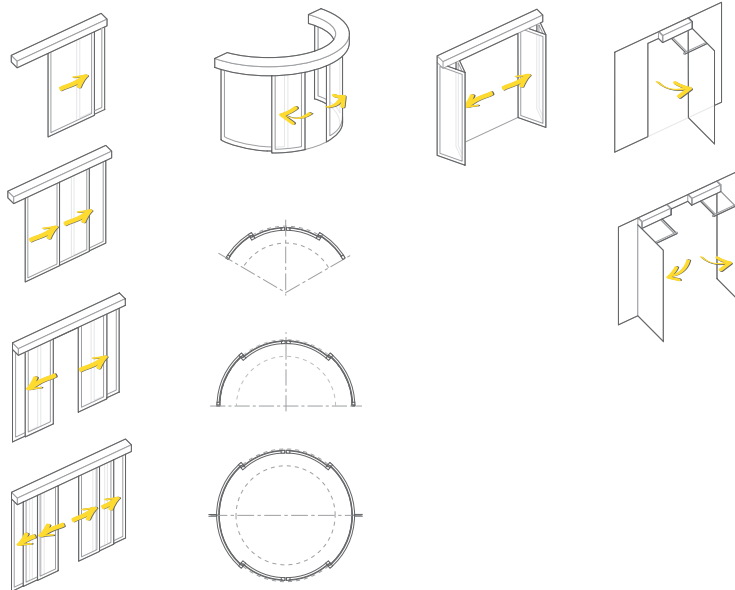
The contact-free opening of doors meet the very strictest hygiene standards. Infections are often spread via direct contact with door-handles. Gilgen automatic doors can make access to doctors surgeries, toilets etc, for example, virtually bacteria-free.

User-friendliness

Open up doors for your visitors. Provide a friendly reception based on ease and simplicity of access. Whether users are loaded with luggage or shopping, or with young children, automatic doors ensure that each visitor enjoys unobstructed, contact-free access. Automatic doors improve freedom of movement – thereby offering a better quality of life.

The right pedestrian-access

- Ideal
- Suitable
- Suitable under certain conditions



	Sliding doors	Curved sliding doors	Bi-folding doors	Swing doors
Optimum pedestrian-flows				
User-friendly, barrier-free construction	●●●	●●●	●●	●●
High frequency, flexibility	●●●	●●●	●●	●●
Subsequent automation				●●●
Design and creativity				
Style, presence, material	●●	●●●	●	●
Transparent configuration	●●●	●●	●●	●●
The dynamic element	●●●	●●●	●	●
Functions and added value				
Fire rated	●●●			●●●
Emergency exit/rescue access	●●●	●●	●●	●●●
Smoke control	●●●			
Stops/reduces draughts	●●	●●	●	●
Access, safety, security and organisation				
Property protection, locking	●●●	●●●	●●	●●●
User protection	●●●	●●●	●	●●
Installation dimensions				
Access width	800 — 4000 mm	∅ 1000 — 2600 mm	800 — 1600 mm	700 — 2800 mm
Weight of door leaf	max. 2 × 120 kg 1 × 150 kg 4 × 60 kg	max. 2 × 120 kg	2 × 70 kg	250 kg Depending on door leaf size