

# GILGEN ROLEGARD HIGH SECURITY SHUTTER

## SR3-SS-TM

Security tested to LPS1175, issue 7, level 3 with integral tubular motor. Designed to protect medium to high risk facilities against determined forced entry

### Introduction

A range of specialist roller shutters with enhanced levels of tested security resistance. These products provide compliance with Insurance and Police Preferred 'Secured by Design' standards.

### Model

Shutter construction is a galvanised steel, single skin, heavy gauge, concave profile with reinforced side guides and bottom profile.

### Operation

Electrically operated by means of an integral tubular motor. Suitable for applications which have limited head space or require a compact appearance and buildings which are limited to a single phase mains power supply. Manual override is via hand crank.

### Door controls and locking

Local controls are normally by means of a low level set of push buttons or a key switch dependant on the operational requirements. Manual override is via a hand crank. Anti-jacking locking provision is provided by an Automatic Self Locking system (ASL) which usually negates the need for mechanical or electronic locks.

### Typical applications

Shutters with integral tubular motors are normally limited to openings which require low cycle usage for example shop fronts, commercial entrances or vehicle access routes with low traffic requirements.

### Options

- Powder coat finish BS/RAL codes
- Group command controls
- Remote control

- Hood cover
- Activation and safety systems
- Automatic electronic anti-jacking bolts with monitored battery backup system\*

### Standard Performance

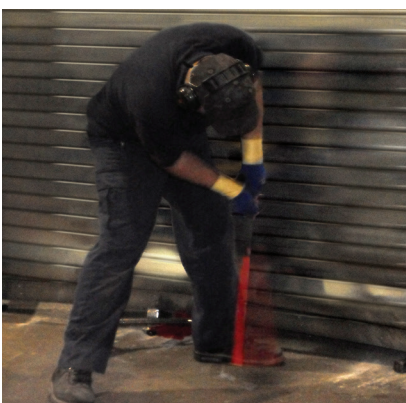
Manufactured and supplied in accordance with the safety and performance characteristic requirements of BS EN 13241-1. Electrical controls – IP65  
Wind pressure: Class 3  
(Beaufort 11, 73mph, 700N/m<sup>2</sup>)



Cert No. 1123

LPS1175 issue 7

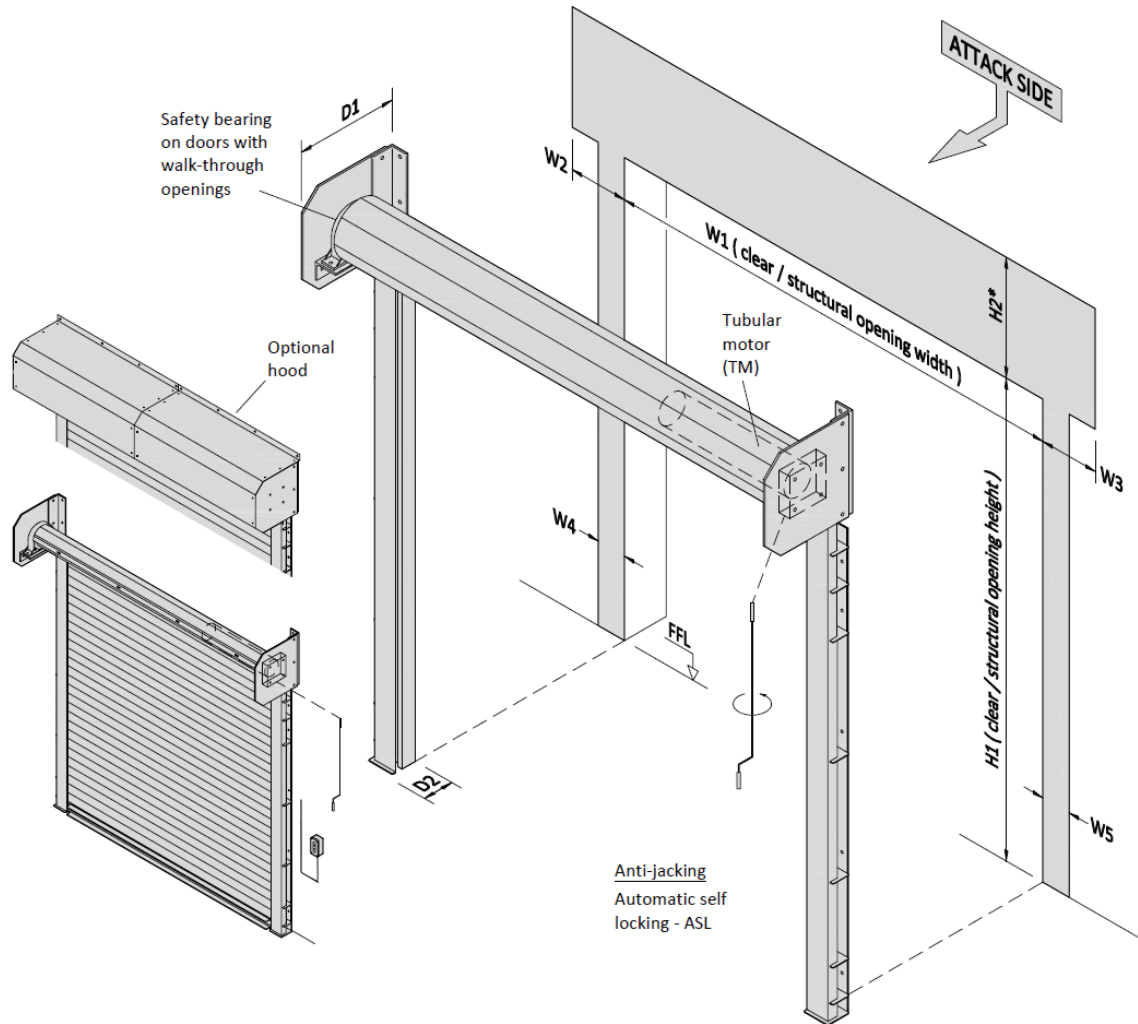
Security rating (SR) 3



\* Electronic bolts are not necessary where automatic self locking (ASL) is specified, except where a specific security requirement exists for automatic physical lock / detection

# Product details and space requirements

Product name	Model	Profile type (Main shutter curtain)	Security rating (SR)
Rolegard security	SR3-SS-TM	Concave face, single skin	3



## Mains power supply requirements

230 volt AC, 1 phase supply

Sizes (width x height) are measured in metres and the maximum area is measured as square metres

Door area	W1	W2	W3	W4	W5	H1	H2*	D1	D2
15	8000	195	195	125	125	4000	500	425	160
15	3000	195	195	125	125	6000	575	500	160
15	3000	195	195	125	125	8000	575	500	160

H2\* add 75mm if hood is required and 85mm if safety edge is required

Does not include space for controls or manual override access and use

Sheet RHS 7

Refer to introduction sheet RHS 1 for details of full product range available