

# UNDERGROUND DRIVE UNIT

## FD 20-UG



### Attractive design and innovative technology

The Gilgen underground drive unit FD 20-UG has been specifically designed for maximum performance, endurance and extremely silent operation.

For applications ranging from interior and exterior doors, the Gilgen FD 20-UG is the appropriate choice!

### At a glance

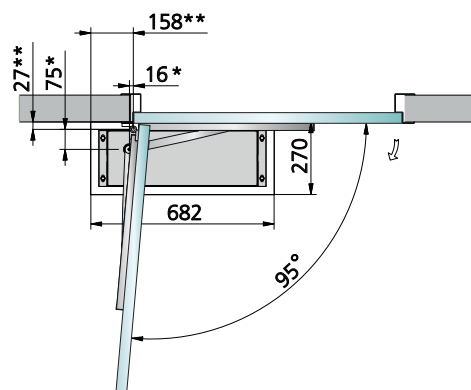
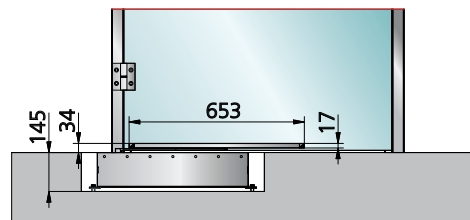
- Drive unit with rust-resisting case and cover plate
- Integrated travel stops in the sliding rods
- Electromechanical drive system
- Controlled, spring-actuated closure with motor assistance
- Spring-actuated closure in the event of a power failure
- Ease of service, no need to remove the door
- Can be retrofitted
- The safety sensor system mounted on the moving door leaf ensures a reliable operation
- Additional finger protection might be needed in some markets

### Application limits

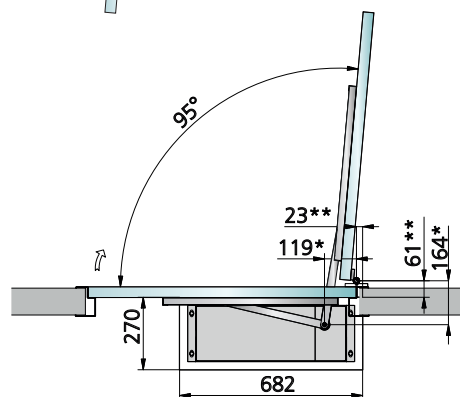
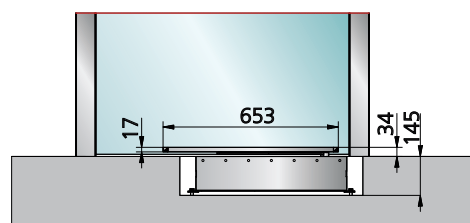
Maximum door leaf weight	250 kg
Door sizes	750 – 1600 mm
Maximum opening angle	95°
Maximum wind speed	60 km/h (180 Pa, depending on door size)
Ambient temperature	-15 to +50 °C
Relative humidity	maximum 85 %

# Application possibilities

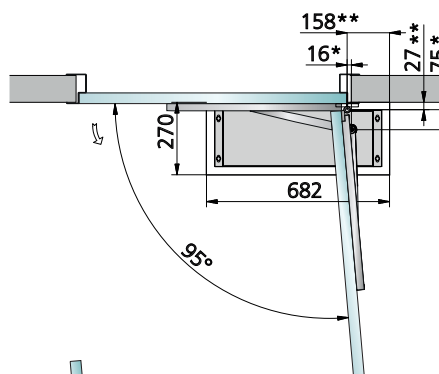
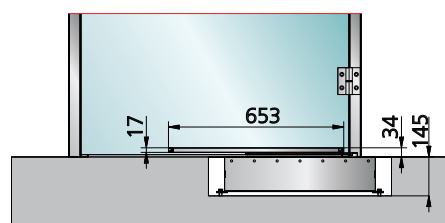
## DIN left pulling function



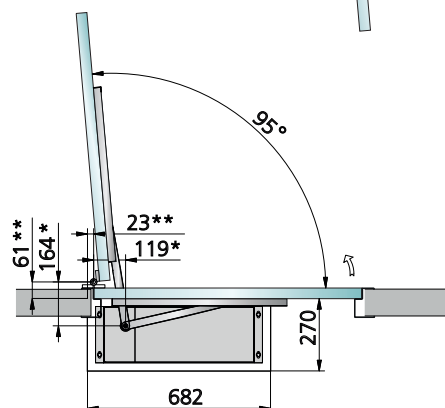
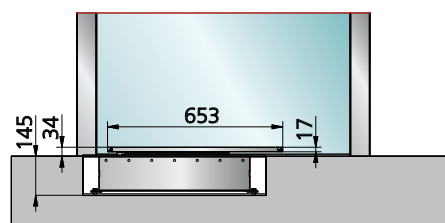
## DIN left pushing function



## DIN right pulling function



## DIN right pushing function



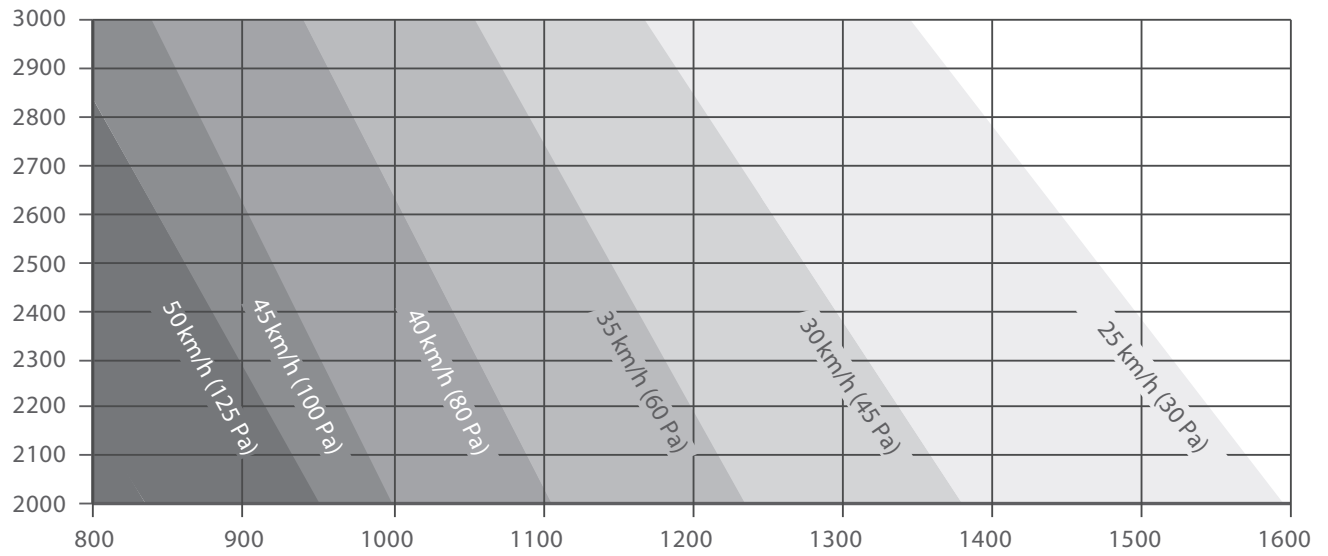
\* Position: Drive unit axis to door pivot

\*\* Position: Floor cut-out to door pivot

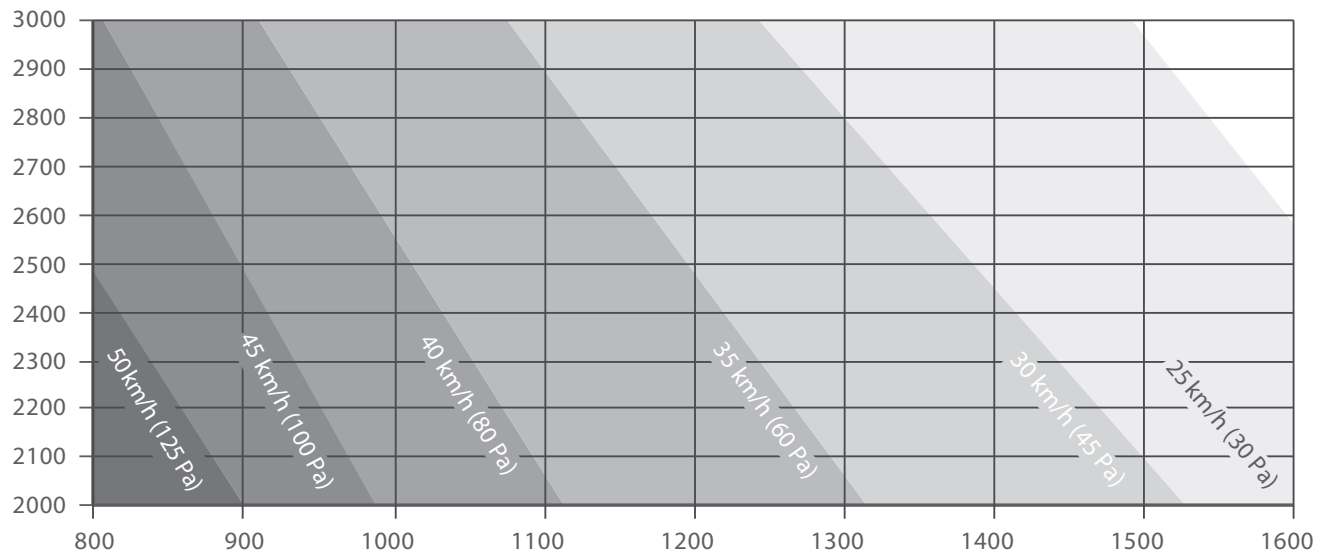
# Application possibilities

## Maximum wind speed

Sliding rod with pushing function



Sliding rod with pulling function



## Technical specifications

Door operation	Sliding rod (with pushing and pulling function)
Drive dimensions	Height 133, width 210, length 622 mm
Drive weight	25 kg
Protection rating	IP 54
Operating voltage	230 VAC (+10/-15 %), 50 Hz, 10/13 A
Power consumption of drive mechanism	maximum 560 W
Power rating of motor	100 W
Stand-by consumption	4 W
Power supply for additional devices	24 VDC ( $\pm 10$ %), 2 A
Drive torque	maximum 80 Nm
Opening speed	maximum 40°/s
Closing speed	maximum 40°/s